

SPECIFICATIONS:

- FREQUENCY: 5.2 GHz TO 5.9 GHz
- INSERTION LOSS: 1.5 dB MAX.
- ISOLATION: 60 dB MIN
- SPEED: DELAY ON: 200ns MAX. 100ns TYP.
DELAY OFF: 200ns MAX. 100ns TYP.
- CONTROL: SEE TABLE 1
- POWER SUPPLY: +5V @ 250 mA MAX.
-15V @ 100 mA MAX.
- RF POWER: 50 WATTS PEAK
5 WATTS AVG. (10% DUTY CYCLE)
- DRIVER: RS422 I/F
- TEMPERATURE: -30°C TO +80°C (OPERATING)
- CONNECTORS: SMA FEMALE (REMOVABLE)
- SIZE 1.00 (L) x 1.00 (W) x 0.75 (H)
- WEIGHT 1.5 OZ. MAX.

REVISIONS				
ZONE	REV.	DESCRIPTION	DATE	APPROVED
	-	ORIGINAL RELEASE	1/15/99	

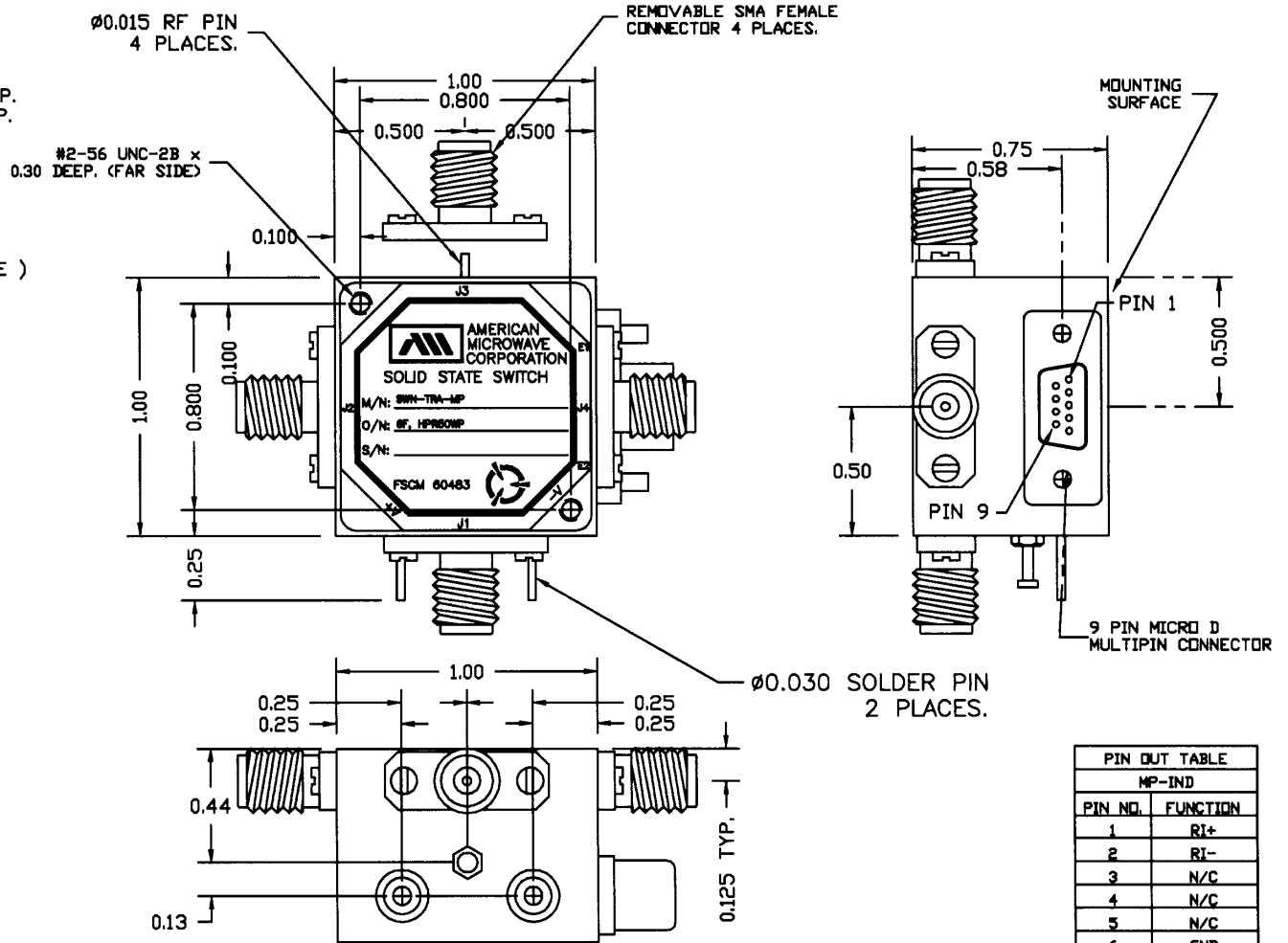


TABLE 1

RI+	RI-	LOW LOSS PATH	ISOLATED PATH
H	L	J1-J2 J3-J4	J1-J4 J2-J3
L	H	J1-J4 J2-J3	J1-J2 J3-J4

PIN OUT TABLE	
MP-IND	
PIN NO.	FUNCTION
1	RI+
2	RI-
3	N/C
4	N/C
5	N/C
6	GND
7	+V
8	-V
9	GND

NOTE:

DR=WITH DRIVER, REFLECTIVE
DT=WITH DRIVER, NON-REFLECTIVE/ABSORPTIVE

ENVIRONMENTAL RATINGS:

- TEMPERATURE: -55°C TO +85°C (OPERATING)
-65°C TO +125°C (STORAGE)
- HUMIDITY: MIL-STD-202F, METHOD 103B COND. B
- SHOCK: MIL-STD-202F, METHOD 213B COND. B
- VIBRATION: MIL-STD-202F, METHOD 204D COND. B
- ALTITUDE: MIL-STD-202F, METHOD 105C COND. B
- TEMPERATURE CYCLE: MIL-STD-202F, METHOD 107D COND. A

NOTE: THE ABOVE SPECIFICATIONS ARE SUBJECT TO CHANGE OR REVISION

ALL DIMENSIONS ARE IN INCHES

TOLERANCES:

X.XX ±0.020

X.XXX ±0.010

CONTRACT NO.		AMERICAN MICROWAVE CORPORATION FREDERICK, MARYLAND	
APPROVALS	DATE	TITLE	
DRAWN K SIMMS	1/15/99	OUTLINE DRAWING SWN-TRA-MP OPTION 6F, HPR50WP TRANSFER SWITCH	
CHECKED		SIZE	REV.
ISSUED		A 60483	-
		DWG NO.	
		100-4706-7	
		SCALE N/S	SHEET 1 of 1